

Features

- Active transmitters
0-10 Vdc or 4-20 mA output
- With or without display
- 8 different temperature ranges in same unit, selectable via jumpers on pcb
-20°C to +150°C, -50°C to +50°C, -20°C to +80°C, -30°C to +60°C, 0 to +40°C, 0 to +50°C, 0 to +100°C and 0 to +150°C.

other temperature ranges on request
- IP65 enclosure with quick locking screws

Ordering

Outdoor temperature transmitter

Type no.	Output	Display
TOTP 010	0-10 Vdc	No
TOTP 010D	0-10 Vdc	Yes
TOTP 420	4-20 mA	No
TOTP 420D	4-20 mA	Yes

Description

Outdoor temperature transmitter TOTP is used for sensing temperature outside and indoors where IP65 enclosure is required.

The outdoor temperature transmitter TOTP is used in heating, ventilation and air conditioning systems as reference sensor for weather-compensated control, measuring sensor, e.g. for optimization, or for measured value display, or for connection to a building management system

Outdoor temperature transmitters TOTP have 8 different temperature ranges in same unit, selectable via jumpers on pcb:
-20C to +150C, -50C to +50C, -20 to +80C, -30C to +60C, 0 to +40C, 0 to +50C, 0 to +100C and 0 to +150C.
Other temperature ranges on request.

The power supply for outdoor temperature transmitter TOTP with 4-20 mA output is 15-36 Vdc and the power supply for outdoor temperature transmitter TOTP with 0-10 Vdc output is 24 Vac/dc.

The active outdoor temperature transmitter TOTP with output 0-10 Vdc and 4-20 mA have a PT1000 sensor (DIN EN 60751, class B).

The sensing element for the outdoor temperature transmitter TOTP is located in a stainless steel probe outside the enclosure.

Wiring connection for outdoor temperature transmitter TOTP is inside the ABS plastic enclosure on a terminal block.

The enclosure of outdoor temperature transmitter TOTP is supplied with a plastic cable entry gland M 16 x 1.5, including strain relief.

TOTP outdoor temperature transmitter can be supplied with or without LCD display.

Always install the outdoor temperature transmitter TOTP on north facing wall and at least 2.5 metres above ground.

Avoid to expose the outdoor temperature transmitter TOTP for direct sunlight, if mounting the unit in sunlight it is recommended to use the sensor shield SGD SS1.

Do not mount the outdoor temperature transmitter TOTP close to heat sources such windows, doors etc.

The cable entry for outdoor temperature transmitter TOTP should be pointing downwards.



Stainless steel sensor shield SGD SS1.
Size 184 x 180 x 80 mm.
SGD SS1 can be used with outdoor temperature transmitter TOTP

Technical data

Measuring ranges

multi-range switching with 8 switchable measuring ranges,
see table (other ranges optional)
with manual zero point correction ($\pm 10\text{K}$).

Working resistance

$R_a \text{ (ohm)} = (U_b - 14 \text{ V}) / 0.02 \text{ A}$ for I variant

Load resistance

$R_L > 5 \text{ kOhm}$ for U variant

Sensing element

PT1000, DIN EN 60751, class B
Sensor inside external stainless steel probe 1.4571, V4A

Outputs

0-10 Vdc, 3-wire (TOTP 010 types)
4-20 mA, 2-wire (TOTP 420 types)

Power supply

24 Vac/dc $\pm 10\%$ for output 0-10 Vdc
(TOTP 010 types)
15-35 Vdc for output 4-20 mA
(TOTP 420 types)

Deviation temperature

$\pm 0.2\text{K}$ at $+25^\circ\text{C}$

Power consumption

$< 1.0 \text{ VA} / 24 \text{ Vdc}$; $< 2.2 \text{ VA} / 24 \text{ Vac}$

Ambient temperature

Measuring transducer -30°C to $+70^\circ\text{C}$

Humidity

$< 95\%$ r.H. non-precipitating air

Protection class

III (according to EN 60730)

Protection type

IP65 (according to EN 60529)

Enclosure

plastic, UV-stabilised, material polyamide,
30 % glass-globe-reinforced, with quick-locking screws
(slotted/Phillips head combination), colour traffic white
(similar to RAL 9016), enclosure cover for display is transparent!

Enclosure dimensions

72x64x37.8 mm (without display)
72x64x43.3 mm (with display)

Cable gland

M 16 x 1.5, including strain relief, exchangeable,
max. inner diameter 10.4 mm

Electrical connection

0.14 - 1.5 mm² via terminal screws on circuit board

Humidity

$< 95\%$ r. H., non-precipitating air

Protection class

III (according to EN 60 730)

Contin. Technical data

Standards

CE conformity,
electromagnetic compatibility
according to EN 61326
according to EMC directive 2004/30/EU

Display

Two-line display with illumination cutout 36x15 mm (W x H),
for displaying actual temperature and intergral dignostics
(measuring range exceeded, measuring range not reached,
sensor breakage, sensor short circuit)

Display and internal diagnostics



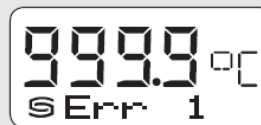
Standard



Measuring range exceeded



Measuring range not reached



Sensor breakage



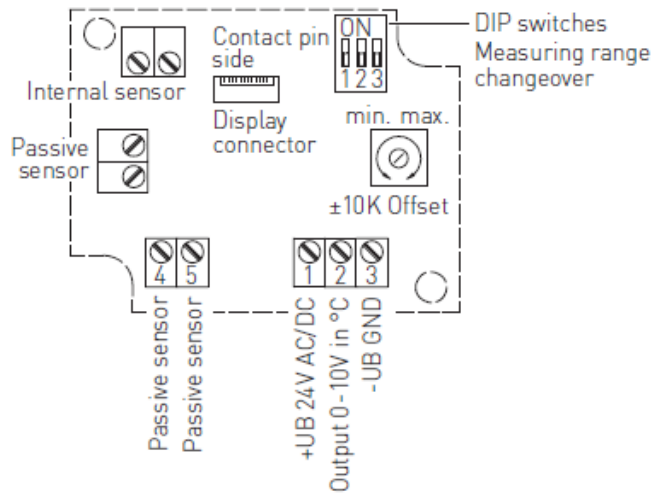
Sensor short circuit

Temperature ranges

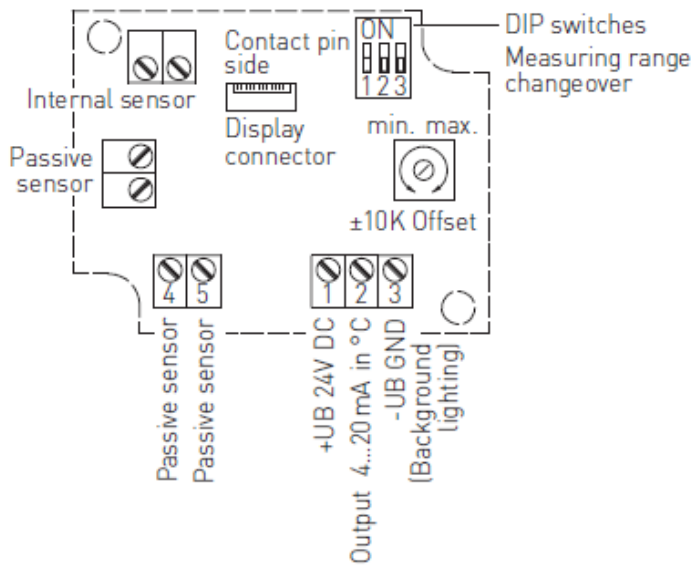
When selecting measuring transducer ranges,
it is necessary to ensure that the maximum temperatures
permissible for sensor/enclosure are not exceeded !

Ambient temperature for measuring transducers:
 -30 to $+70^\circ\text{C}$

Wiring TOTP with 0-10 Vdc output



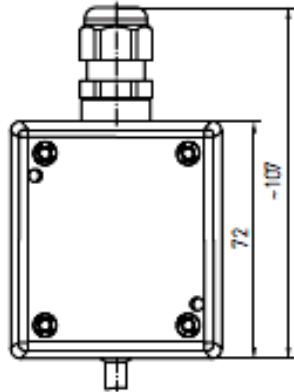
Wiring TOTP with 4-20 mA output.



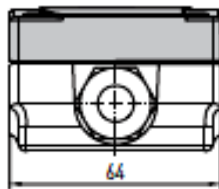
8 different temperature ranges in same unit, selectable via jumpers on pcb

Measuring ranges (adjustable)	DIP 1	DIP 2	DIP 3
-20°C ... +150°C	ON	ON	ON
-50°C ... +50°C	OFF	ON	ON
-20°C ... +80°C	ON	OFF	ON
-30°C ... +60°C	OFF	OFF	ON
0°C ... +40°C	ON	ON	OFF
0°C ... +50°C	OFF	ON	OFF
0°C ... +100°C	ON	OFF	OFF
0°C ... +150°C	OFF	OFF	OFF

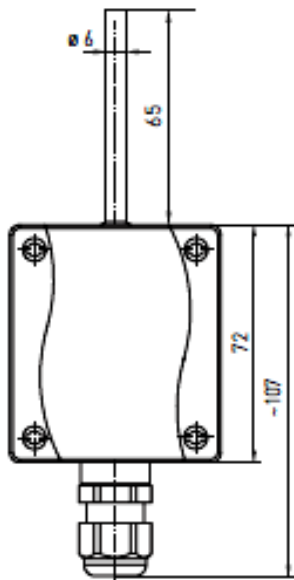
Dimensions of TOTP



TOTP with display



TOTP without display



OneTemp^o pty ltd
measure | control | record
1300 768 887
www.onetemp.com.au