

Remote Monitoring for Business

ALTA Wireless Food Probe Accessories

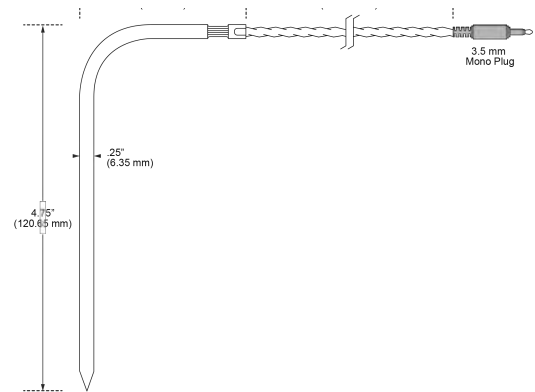
General Description

The [ALTA® Wireless Food Probe](#) comes with the standard curved probe or upgraded with an optional T-Handle probe. Both pair easily with the newest device from Monnit, to make sure food is prepared to perfection and customers leave happy and healthy.



Principle of Operation

Both Food Probe accessories utilize an RTD temperature probe to provide long-term, highly accurate temperature readings.



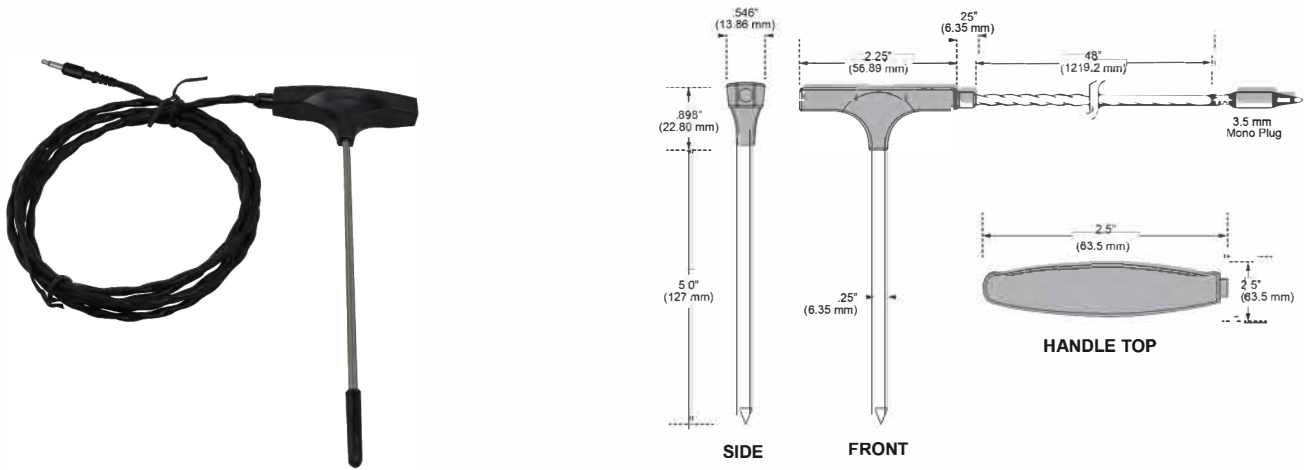
Food Probe with Included Probe Technical Specifications

Part Number	MNA-FP-CP
Temperature Range	-50.0°C to 260.0°C (-58.0°F to 500.0°F) ¹
Accuracy	± 0.5° C (± 0.90° F)
Calibrated Accuracy	± 0.3° C (± 0.54° F)
Resolution	0.1° C (0.1° F)
Response Time (90% of Actual)	Still Air: 30 Seconds, Water: 2 Seconds ²
Temperature Element	RTD PT1000 1 kOhm @ 0° C, Alpha Class 'B'
Probe Tip Material	Stainless Steel (SS316)
Probe Connector	3.5mm Mono Plug
Weight	0.64 oz (18 g)
Length	54.25 inches
Width	0.25 inches
Lead Wire Construction	PTFE plug and collet crimp seals the stainless probe. [2] 26 AWG, Stranded nickel clad copper wires, teflon insulation, type ET style, with protective woven SS overbraid, 90% min. coverage on braiding.

¹ Temperature rating for the SS316 tip, handle, and wire. Plug molding maximum temperature rating +107° C (+225° F).

² Response Time depends on how long it takes the medium to bring the probe body up to actual temperature.

Note: Only the probe is submersible. The lead wire is not waterproof. DO NOT submerge the the lead wire.



Optional T- Handle Food Probe Technical Specifications

Part Number	MNA-FP-TH
Temperature Range	-40.0°C to 246.0°C (-40°F to 475.0°F) ¹
Accuracy	± 0.5° C (± 0.90° F)
Calibrated Accuracy	± 0.3° C (± 0.54° F)
Resolution	0.1° C (0.1° F)
Response Time (90% of Actual)	Still Air: 30 Seconds, Water: 2 Seconds ²
Temperature Element	RTD PT1000 1 kOhm @ 0° C, Alpha Class 'B'
Probe Tip Material	Stainless Steel (SS316)
Probe Connector	3.5mm Mono Plug
Weight	1.64 oz (46 g)
Length	56.398 inches
Width	0.25 inches
Lead Wire Construction	2C PTFE insulated cable with SS overbraid FEP outer jacket

¹ Temperature rating for the SS316 tip, handle, and wire. Plug molding maximum temperature rating +107° C (+225° F).

² Response Time depends on how long it takes the medium to bring the probe body up to actual temperature.

Note: Only the probe is submersible. The lead wire is not waterproof. DO NOT submerge the the lead wire. The optional T-Handle probe can be purchased [here](#).